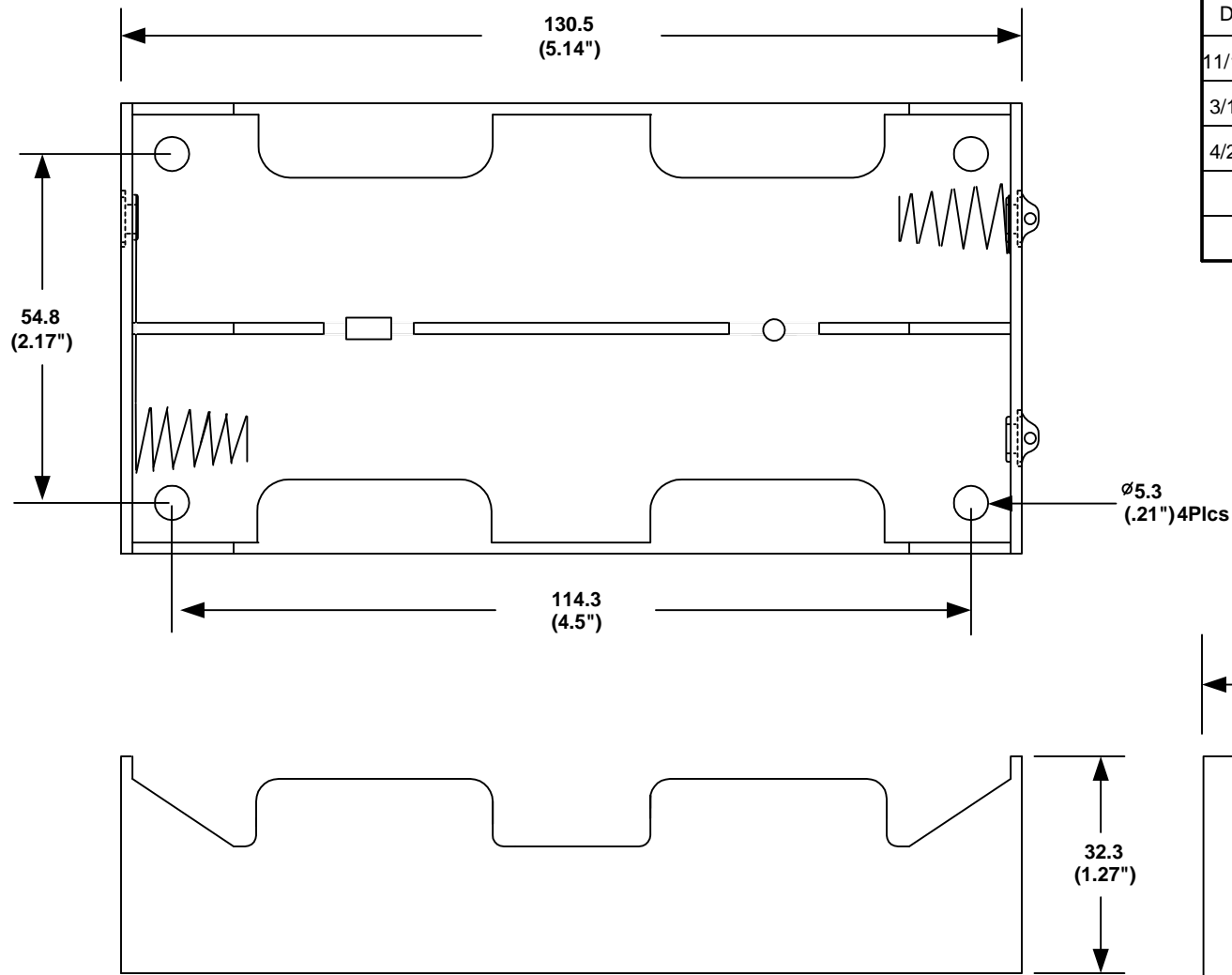
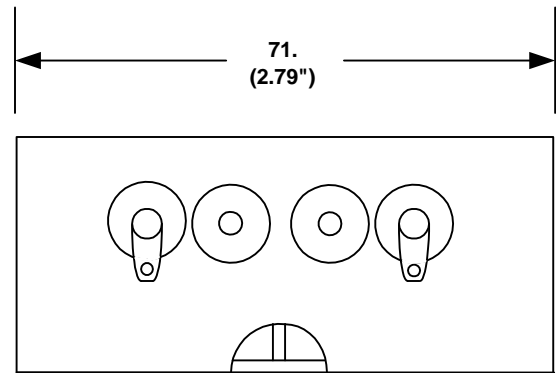


DATE	SYM	REVISION RECORD	AUTH	DR.	CK.
11/19/05	A	ADDED "ROHS COMPLIANT"	T.B.	B.S.	
3/18/06	B	UPDATED MATERIAL SPEC.	T.B.	B.S.	
4/29/06	C	ADDED CONTACT RESI. INFO.	T.B.	B.S.	



ORDERING CODE BH24D

SOLDER LUGS = L
(6") WIRE LEADS = W
9VOLT TYPE SNAPS = SF
BUMP PLATES = B




SOLDER LUGS SHOWN ABOVE

SPECIFICATIONS:

- Plastic material - polypropylene
- Flammability rating-UL94 HB, UL file no. E216959
- Temperature Range: -10°C to +100°C
- Springs - nickel plated spring steel
- Wire - 152.4 mm Long 26 AWG, UL1007, CSA - TR-64, 300V, 80 C.
- Rivets - Brass, nickel plated
- 9 Volts Snaps - Brass, nickel plated
- Contact resistance: Under 50mΩ for +/- contacts per EIA-540J000

ROHS COMPLIANT

Note: Dimensions in mm. (inches)

TOLERANCES (EXCEPT AS NOTED)		 Memory Protection Devices, Inc. 200 Broad Hollow Road, Farmingdale, New York 11735	
DECIMAL		SCALE	DRAWN BY S.C.
+ .5 (.020")		-----	APPROVED BY
FRACTIONAL	TITLE	FOUR "D" CELL HOLDER	
+ .8 (.030")			
ANGULAR	DATE	DRAWING NUMBER	
+ 3°	4/29/2006	BH24DL	